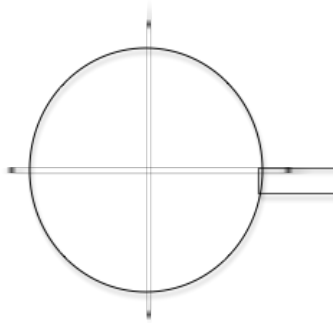




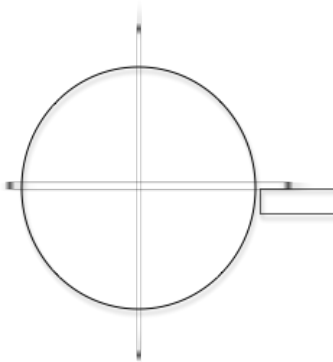
2019 World Latte Art Championship
VISUAL SCORE SHEET - PRELIMINARY ROUND

Representing _____
Competitor _____
Judge _____



Two Identical Patterns Matching the Presented Picture	Visual Foam Quality	Contrast Between Ingredients	Harmony, Size, and Position of Pattern	Level of Difficulty Successfully Achieved	Overall Appealing Impression	Total
x2		x2		x2	x4	
Both Cups identical	Silky and creamy	Clear Defined Lines	Symmetry in cup	Complex design	Pattern was confusing	
Only one identical	Shiny and glossy	Contrast	Position of design	Safe design	Impressive	
Only one was similar	No bubbles	Slight blurring in picture	Handle in correct position	Mastery	Progressive, breakthrough, development of the craft	
Cup under filled	Dry foam	Significant blurring in picture		Messy and rushed	Surprising	
	Matte with no gloss	Lacked clarity			Expressionistic or realistic	

Notes/Comments



Two Identical Patterns Matching the Presented Picture	Visual Foam Quality	Contrast Between Ingredients	Harmony, Size, and Position of Pattern	Level of Difficulty Successfully Achieved	Overall Appealing Impression	Total
x2		x2		x2	x4	
Both Cups identical	Silky and creamy	Clear Defined Lines	Symmetry in cup	Complex design	Pattern was confusing	
Only one identical	Shiny and glossy	Contrast	Position of design	Safe design	Impressive	
Only one was similar	No bubbles	Slight blurring in picture	Handle in correct position	Mastery	Progressive, breakthrough, development of the craft	
Cup under filled	Dry foam	Significant blurring in picture		Messy and rushed	Surprising	
	Matte with no gloss	Lacked clarity			Expressionistic or realistic	

Notes/Comments

Professional/Performance (Hospitality skills, confidence, flair)
x 4
Eye Contact
Professional Attire
Explanation
Quality of images
Spills on cups

Free Pour Latte (0-72 pts) + Designer Latte (0-72 pts) + Performance (0-24 pts) = **TOTAL SCORE** (0-168 pts)